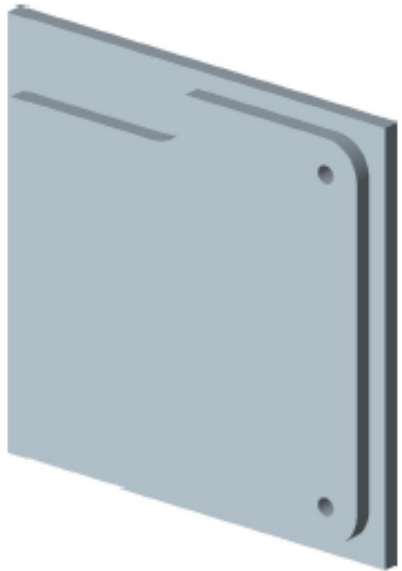
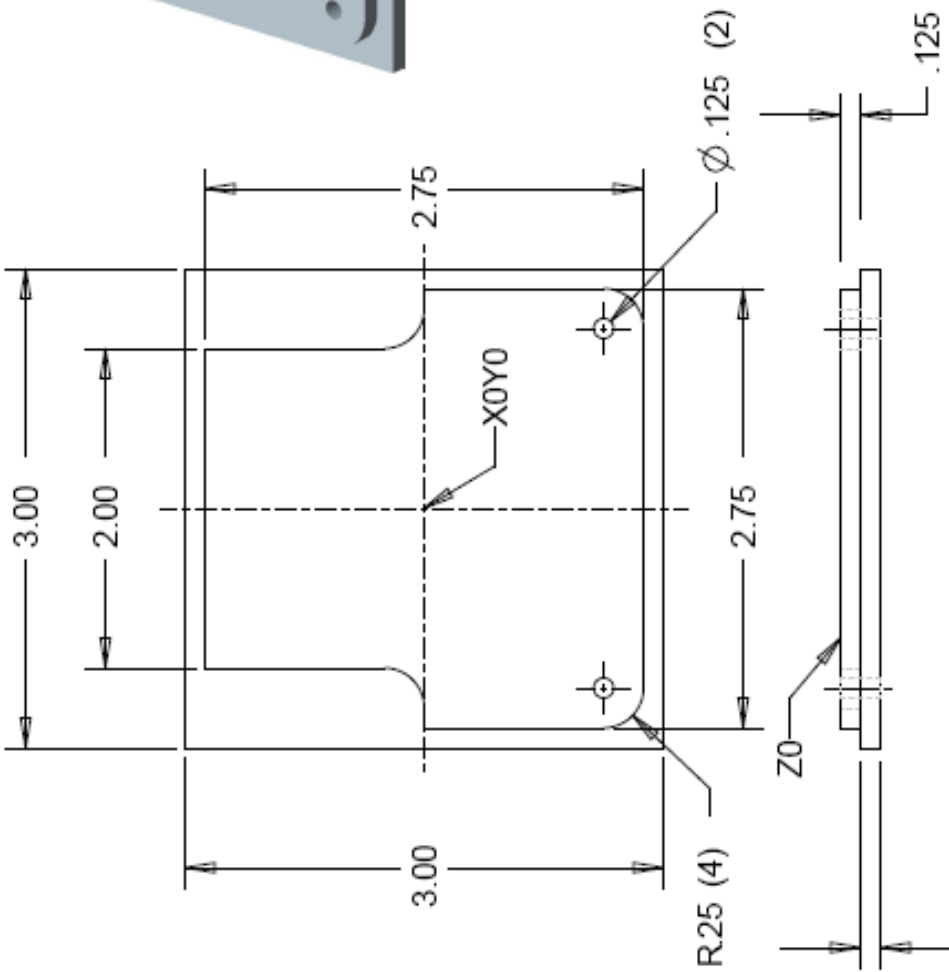


MILL-LESSON-4 EXERCISES

3.00

2.00

2.75

X0Y0

Ø.125 (2)

2.75

R25 (4)

Z0

.125

.125

Mill-Lesson-4 Exercise
Material: Aluminum T6O61
All Dimensions in Inches

CAMInstructor.COM